

Protank Totetank

- UN/DOT Certified (31A)
- Packaging Group II and III per Title 49 CFR
- 1.9 Specific Gravity
- 304 or 316 Stainless Steel
- Sloped bottom for virtual 100% discharge
- 22" top manway with gasket and bolted clamp ring
- 3" top fill fitting with fusible cap and lanyard
- 2" top bung fitting
- 2" poly shipping plug
- 2" bottom discharge with lockable stainless steel ball valve
- Stainless Steel data plate
- Heavy duty lifting pad eyes/leg positioners
- Safety decals
- Forklift and stacking capability



Side Discharge IBC specifications:

NOMINAL CAPACITY* [US GALLONS]	TARE WEIGHT*	LENGTH*	WIDTH*	HEIGHT*
		A	B	C
126	265 lbs	42"	48"	27"
165	325 lbs	42"	48"	30"
245	390 lbs	42"	48"	39"
350	475 lbs	42"	48"	51"
550	640 lbs	42"	48"	75"



Side Discharge

Center Discharge IBC specifications:

NOMINAL CAPACITY* [US GALLONS]	TARE WEIGHT*	LENGTH*	WIDTH*	HEIGHT*
		A	B	C
350	598 lbs	42"	48"	53"-56"
550	768 lbs	42"	48"	77"-80"
793	1041 lbs	54"	54"	80"



Center Discharge

*All dimensions, gallons, and weights are nominal.

*Overall tank height plus or minus 3 inches depending on leg height. Call for questions

Lifting Lug Retro Kit for Totetank

Designed to 2.7-1 / EN12079

Totetank are designed and manufactured to UN 31A with limitation on its use offshore.

To enhance the lifting load capacity and to regularize the lifting procedures and regulations in accordance with offshore practices and requirements, Protank has developed a lifting lug that can be retro fitted to the UN31A totetanks.

The kit has been designed and prototype tested to DNV 2.7-1 and ISO EN 12079 standards.

- Single Point Lifting Set
- Kit to be welded to totetank pad eye
- Recommended to use with type approved lifting set
- Available for 54"x54" totetank footprint
- Maintain stackability

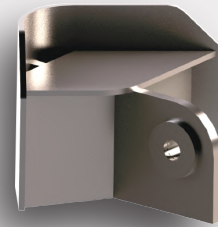


Totetank Accessories

Protank full line of options and accessories helps customize our container products to your company's specific requirements. Please visit us at www.protankgrup.com, or contact our sales team now at enquiry@protank.com.my for more information.



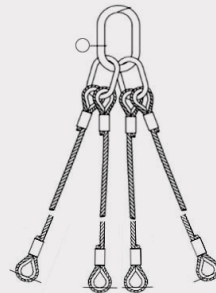
Pressure/ Vacuum Relief Valves (PVRV)
To prevent tanks collapses during discharge



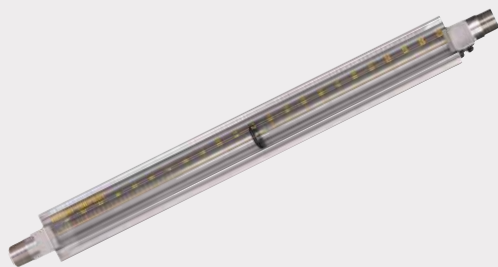
Lifting Lug Retro Kit for Totetanks
Designed to 2.7-1 / EN12079



Manifold Assembly
A special manifold for connecting the outlet valve and level gauge.



DNV type approved lifting set

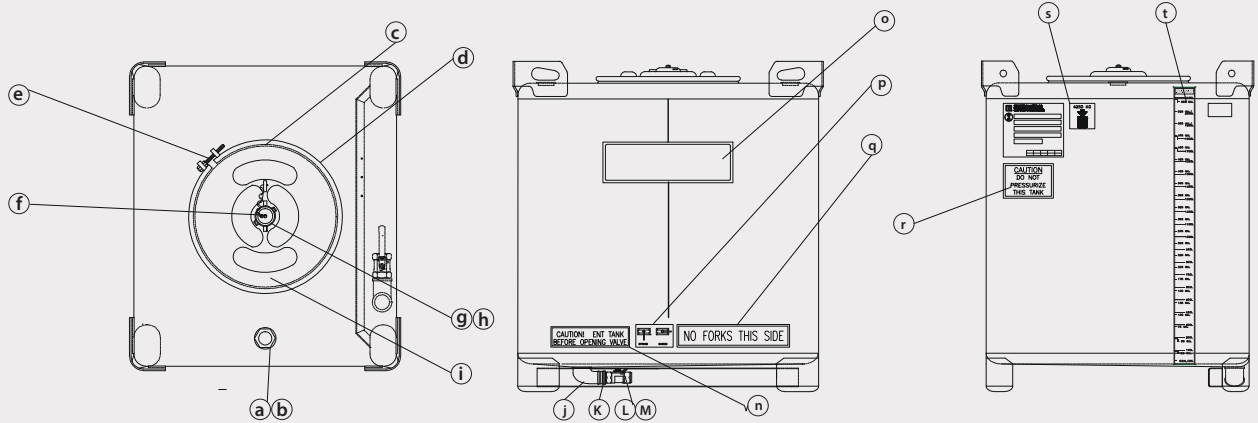


Side Glass Level Gauge



Float Glance Gauge

Totetank Spares



 a	 b	 c	 d	
2" Hex Bung Plug	2" Cross Hex Bung Plug	22" Drum Cover Gasket	22" Bolted Clamp Ring	DOT/UN Air Retest Kit
 e	 f	 g	 h	 i
Bolt & Nut for Clamp Ring 5/8"	3" Fusible Cap	EPDM Gasket for fusible cap	Buna- N Gasket for fusible cap	22" Drum Cover Set
 j	 k	 l	 m	
2" NPT 90 Degree Elbow	2" NPT X 3" Long Nipple	2" Locking Handle Ball Valve	2" Cam-Lock Adapter	2" 15deg Cam-Lock Adapter
 n	 o	 p		
2" Dust Cap	2" PP Shipping Plug	Caution Vent Tank Decal	Customized Decal	Valve Open/ Close Decal
 q	 r	 s	 t	
No Forks This Side Decal	Do not Pressurized Decal	MGW Decal	Level Decal	2" Hex Head Bung Wrench